

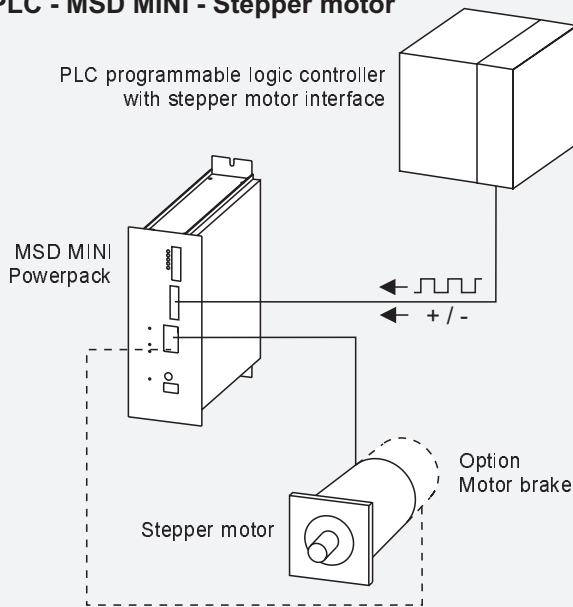


# MSD MINI

## Stepper Motor Power Pack for Rack or Wall Mounting

### Short Information

#### PLC - MSD MINI - Stepper motor

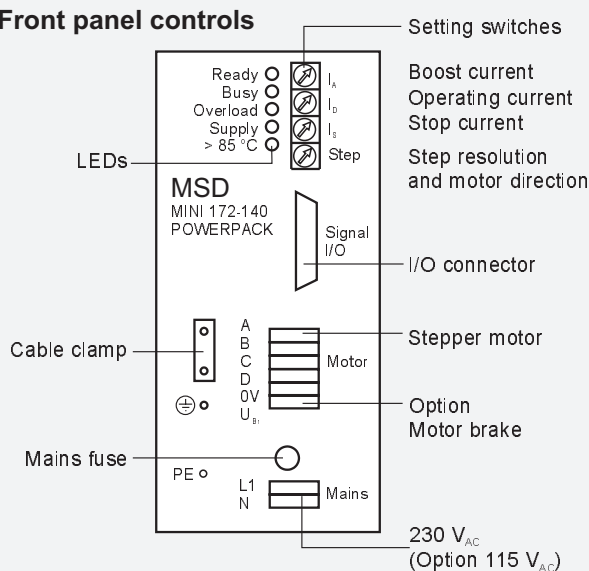


#### MSD MINI Stepper motor power pack

MSD MINI is a stepper motor power pack for driving two-phase stepper motors with motor currents up to  $17 A_{peak}$ . MSD MINI is designed for wall or 19"-rack mounting.

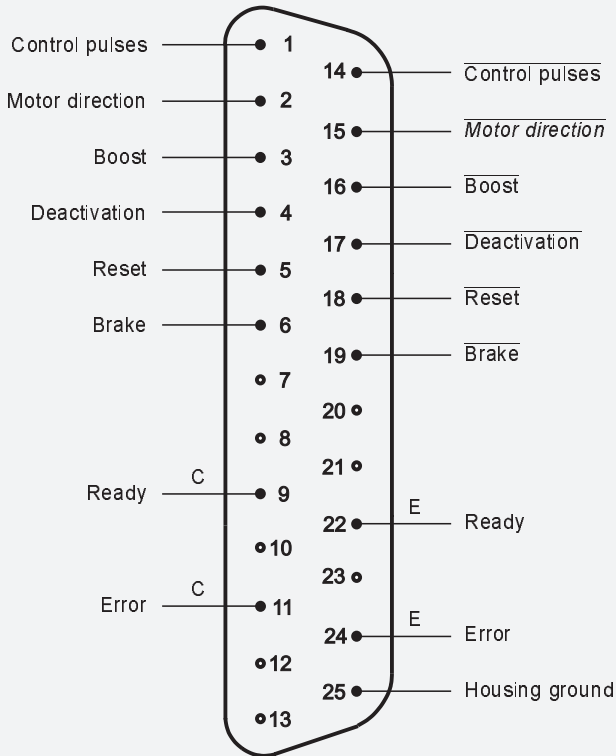
- MSD MINI control signals may be provided from control units delivering the step pulses and +/- direction signals or from PC's equipped with a stepper motor interface.
- Compact module including power stage and supply unit for direct connection to  $230 V_{AC}$  (option:  $115 V_{AC}$ )
- Control of two-phase stepper motors up to  $17 A_{peak}$  phase current (effective motor current max.  $12 A_{eff}$ )
- MSP MINI Powerpacks are available in four versions with different supply voltages and different housings:
  - Supply voltage 70 V or 140 V
  - Housing for rack mounting or with removable mounting brackets for wall mounting
- Optimum motor drive by means of rotating field synchronized current regulation based on the patented SYNCHROCHOP principle.
- Use of the maximum torque with the Boost and Overdrive functions
- Electronic monitoring of overheating, short-circuits and voltage drops
- Temperature-controlled fan
- Status display by means of LEDs
- Electrical insulation of inputs and output by means of opto-couplers
- Setting switches for individual adjustment of Boost current, operating current, stop current, step resolution and preferential motor direction
- MSD MINI power packs do not require additional external filters for EMC-correct wiring. The motor cable shielding mesh has to be connected to the housing by means of a cable clamp.
- MSD MINI power packs meet the requirements of the EMC and Low Voltage EU Directives and therefore, may bear the CE mark.**

#### Front panel controls



Further information on request

## I/O Connector



25-pin D-SUB connector according to DIN 41652 Fig. 3

## RS 422 Input Connection

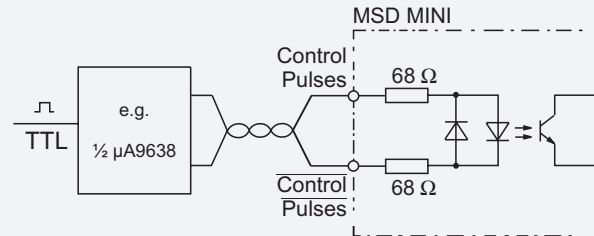
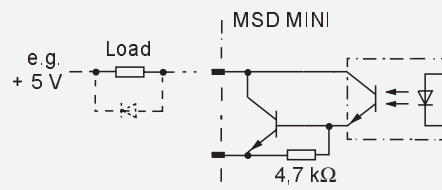


Fig. 4

## Output Connection

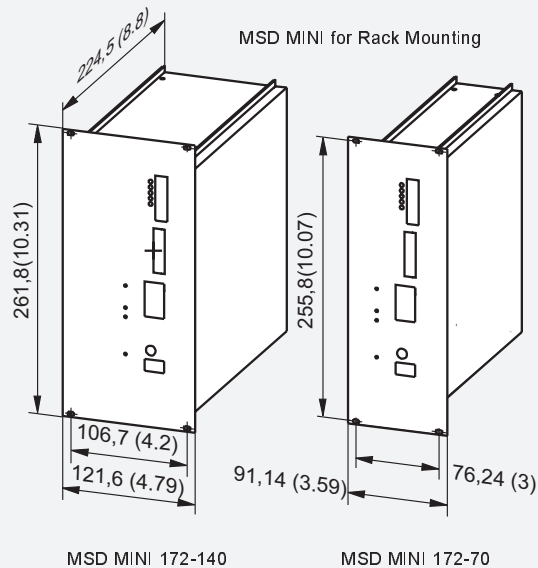
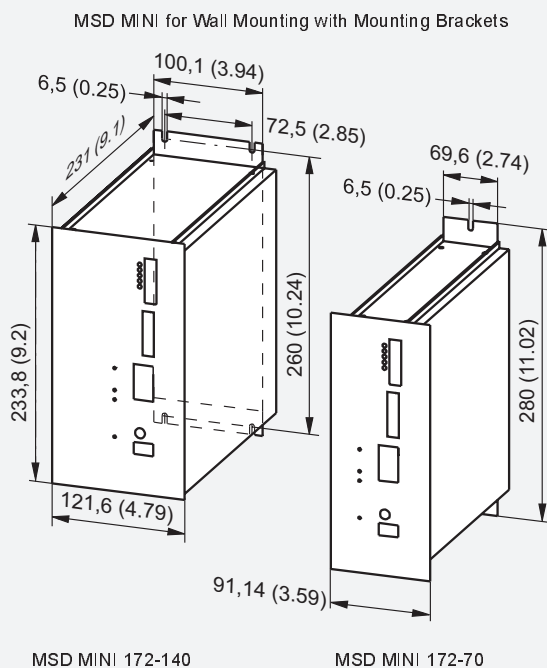


In case of inductive loads (e.g. a relay), a protective diode must be mounted.

Fig. 5

## MSD MINI Powerpack Dimensions

mm (inch)



On the module's front face an area of approx. 35 mm (1.5 inch) is necessary for cable connection.

When mounting the module, make sure that the module is sufficiently air-cooled. Vertical mounting provides better air ventilation.

Fig. 6